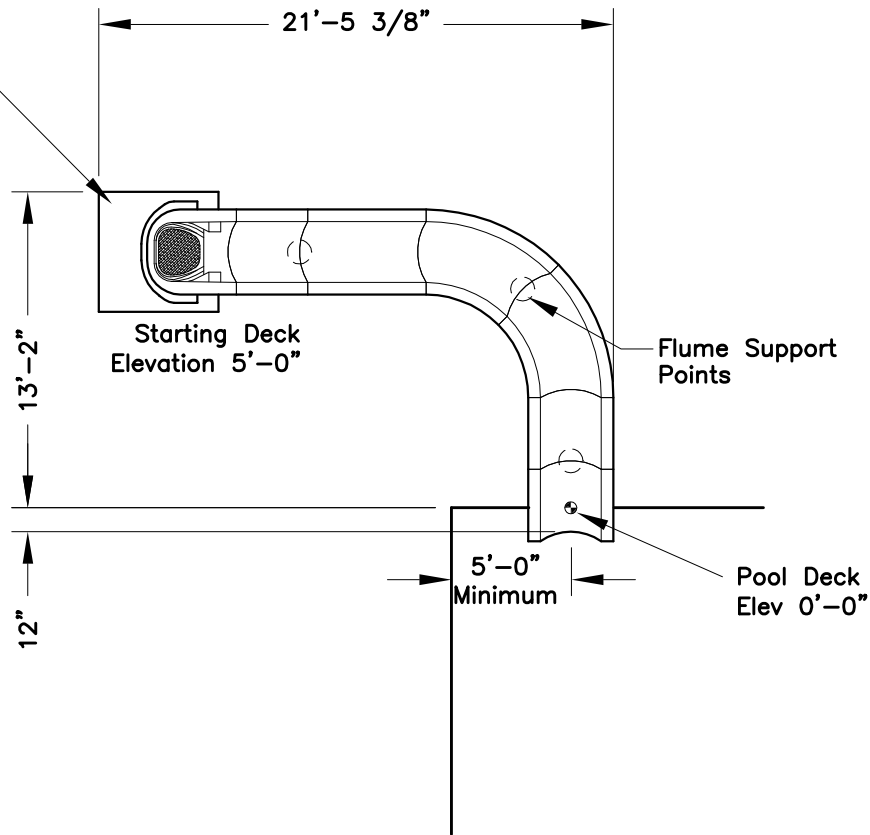


60 x 60 x 4"
Concrete Pad
Provided
By Others

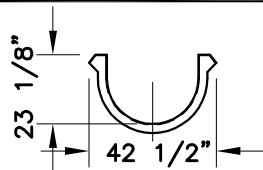


MODEL: SS-29R

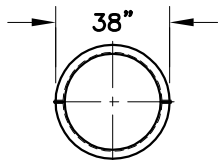
POOL RECOMMENDATIONS

Recommended Minimum
Pool Area Reserved For
Slide Operation Is
10' x 20' With Minimum
Water Depth Of 36"

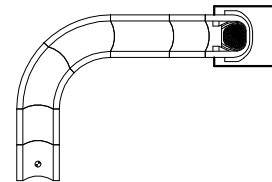
OPTIONAL CONSIDERATIONS



32" Open Flume



32" Enclosed Flume



MIRROR IMAGE
MODEL: SS-29L

BASE SPECIFICATIONS

Ride Length	28.98'
Centerline Length	27.07'
Starting Elevation	5'-0"
Slope	20.81%
Flume Width	32.00"
Centerline Radius	6'-0"
Designed Water Flow	200 GPM

CONFIDENTIAL - PROPERTY OF SlideScapes, LLC

Standard Model SS-29R

DWG SCALE
1/8" = 1'-0"

DRAWN BY
RLP

DWG. DATE
Jan. 17, 2006

REVISION
0

REVISION DATE

DWG. NO.
SS-29



Phone: 770-297-0107 Fax: 770-297-0340
800-490-1597
www.waterslides.biz